

ANDRIS R



The Andris R is an unvented electric storage water heater and part of Ariston's market-leading Andris range. It offers great hot water performance with fast reheat times.

- / World Class Manufacturing backed by over 85 years of production heritage
- / Economy 'E' setting
- / Copper heating element
- / Titanium enamelled tank
- / Available in 10 litre and 15 litre undersink models – in 2kW and 3kW
- / Simple and intuitive dial control
- / 10 step easy installation
- / 4 bolt flange
- / Compact Italian design
- / Fast reheat times from just 12 mins (10L, 3kW model)

ENERGY RATING





ITALIAN DESIGN



TITANIUM PLUS



ENHANCED ANTI-CORROSION



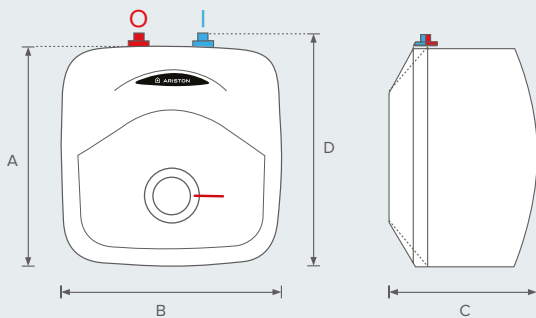
COMPACT SIZE



EASY INSTALLATION



EXTERNAL POWER REGULATION



	10L (Undersink) 2kW & 3kW	15L (Undersink) 2kW & 3kW
A	360mm	360mm
B	360mm	360mm
C	298mm	346mm
D	385mm	385mm

TECHNICAL DATA

ANDRIS R

Description	10L 2kW	10L 3kW	15L 2kW	15L 3kW
Height (mm)	360	360	360	360
Width (mm)	360	360	360	360
Depth (mm)	298	298	346	346
Class	B	B	B	B
Tapping	XXS	XXS	XXS	XXS
Power (kW)	2	3	2	3
Capacity (L)	10	10	15	15
Voltage (V)	240	240	240	240
Heating Time (mins)	17	12	26	18
Orientation	Undersink	Undersink	Undersink	Undersink
Weight (kg)	6.7	6.7	7.5	7.5
Product codes	3100863	3100832	3100864	3100834

IN ORDER TO FIT AN ARISTON ANDRIS R IT IS GOOD PRACTICE AND SOMETIMES MANDATORY TO INSTALL ONE OR SEVERAL OF THE FOLLOWING KITS:



KIT A

Expansion Vessel & Non-return Valve

An expansion vessel is a device that takes up the expansion of water in the domestic hot water system when it is heated. This prevents build up of excess pressure. The non-return valve prevents backflow of expanded hot water in to the cold water main.

PRODUCT CODE: 406801



KIT B

3.5 Bar Pressure Reducing Valve

The maximum cold water inlet pressure designed for the Andris R unit is 3.5 bar therefore this pressure reducing valve controls the water to not exceed this limit.

PRODUCT CODE: 406802



KIT C

Discharge Tundish

In the event that the hot water system over pressurises, the highly pressurised water is discharged via the 6 bar pressure relief valve and the tundish serves to visually indicate that this discharge is occurring.

PRODUCT CODE: 406807